

## Steam Trap Units for Universal Connectors

### BK 36 A/7, MK 36 A/71, MK 36 A/72, DK 36 A/7, UCY 36, UC 36 Class 300

#### Description

Steam trap manufactured in stainless steel, fitted with integral spiral wound gasket, suitable for universal connectors (SWIVEL).

The steam trap units BK 36 A/7, MK 36 A/71, MK 36 A/72 and DK 36 A/7 are available either complete with a universal connector (UC 36 or UCY 36) or for fitting the trap unit into a universal connector already installed in the pipeline. The steam trap unit is secured to the universal connector by means of two hexagon head screws.

#### BK 36 A/7

Thermostatic bimetallic steam trap unit with corrosion resistant Duo stainless steel regulator and ability to withstand waterhammer. Robust steam trap for discharging condensate with virtually no banking-up and automatic air venting.

#### MK 36 A/71, MK 36 A/72

Thermostatic capsule-type steam trap unit with corrosion resistant regulating membrane, protected against waterhammer. The trap has a very sensitive response characteristic, its standard capsule discharges rapidly without banking up condensate.

MK 36 A/71 features a thermostatic capsule with tandem seat (double seat)

MK 36 A/72 features a thermostatic capsule with flat seat

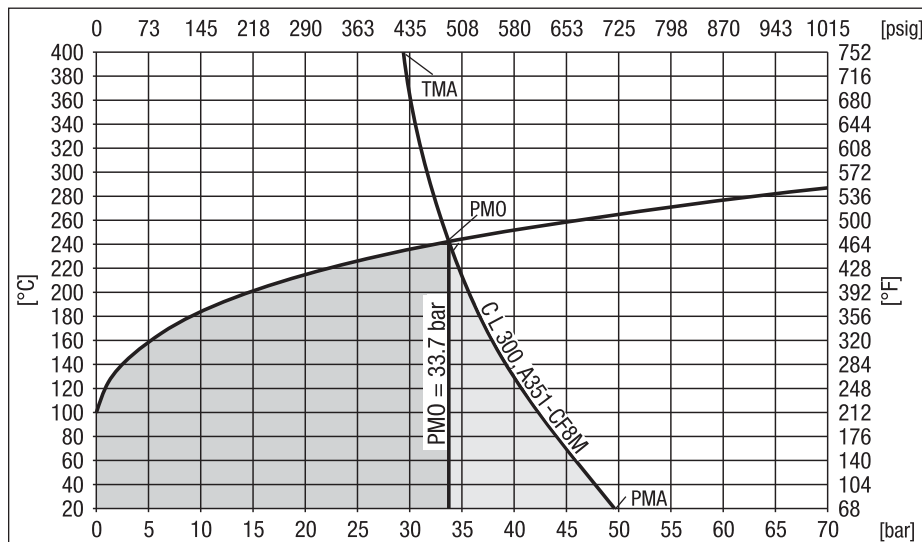
#### DK 36 A/7

Thermodynamic steam trap unit with corrosion resistant valve disc and ability to withstand waterhammer. Robust steam trap for discharging condensate with virtually no banking-up.

UCY 36 Universal connector with strainer

UC 36 Universal connector without strainer

#### Pressure/Temperature Limits



#### ASME B 16.5 Class 300 (PN 50) Material Group 2.2

PMA (Max. allowable pressure)	[bar]g	49.6	42.3	35.7	31.6	29.4	
TMA (Max. allowable temperature)	[°C]	38	100	200	300	400	
PMA (Max. allowable pressure)	[psi]g	720	613	519	460	425	
TMA (Max. allowable temperature)	[°F]	100	212	392	572	750	
Δ PMX (admissible differential pressure)	[bar]	32					
	[psi]	465					

Pressure/temperature series according to ASME B 16.5, PMO = Max. operating pressure, PMA = Max. allowable pressure, TMA = Max. allowable temperature, Δ PMX = Admissible differential pressure (ISO 6552)

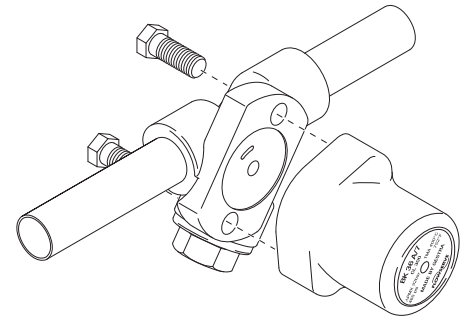
#### Materials

Designation	EN	ASTM
Cover	1.4408 (GX5CrNiMo19-11-2)	A351-CF8M
Nozzle support	1.4404 (X2CrNiMo17-12-2)	A182-F316L
Regulator	stainless steel	
Gaskets	spiral wound gasket (graphite/CrNi)	
Universal connector UCY 36, UC 36	1.4408 (GX5CrNiMo19-11-2)	A351-CF8M
Hexagon screws (nickel-plated) 3/8-16 UNCx25 mm	1.7225 (42CrMo4)	A193 Gr. B7

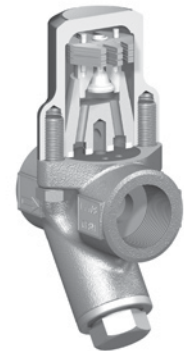
#### Weights

BK..., MK..., DK...	[kg] / [lbs]	0.7 / 1.5		
UCY 36, UC 36		screwed sockets, socket-weld ends		
	DN [inch]	½"	¾"	1"
	[kg] / [lbs]	0.7 / 1.5	0.8 / 1.8	1.0 / 2.2

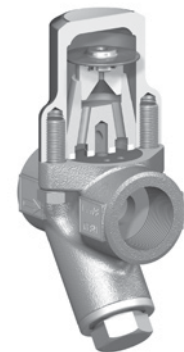
### BK 36 A/7 MK 36 A/71, MK 36 A/72 DK 36 A/7 UCY 36, UC 36



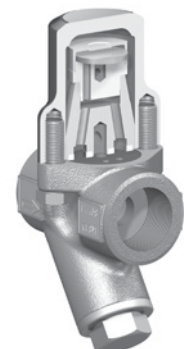
Steam trap unit attached to universal connector



BK 36 A/7, UCY 36



MK 36 A/71, UCY 36  
MK 36 A/72, UCY 36



DK 36 A/7, UCY 36

#### End connections

Screwed sockets: G (to EN ISO 228-1) and NPT threads  
Socket-weld ends

## Steam Trap Units for Universal Connectors

**BK 36 A/7, MK 36 A/71, MK 36 A/72, DK 36 A/7, UCY 36, UC 36 Class 300**

### Capacity Chart

The capacity chart to the right shows the max. capacities of hot condensate for the different steam trap units referred to the differential pressure.

- 1 BK 36 A/7                      3 MK 36 A/72
- 2 MK 36 A/71                 4 DK 36 A/7

The steam traps discharge the indicated hot water capacities with virtually no banking up.

- 5 MK 36 A/71                 7 BK 36 A/7
- 6 MK 36 A/72

Discharge capacity of cold condensate at 20 °C.

### Order & Enquiry Specification

GESTRA Steam Trap Units for Universal Connectors  
 Type: **BK 36 A/7, MK 36 A/71, MK 36 A/72, DK 36 A/7**  
 Connection: Universal connectors (all makes)  
 PMO: 33.7 bar / 488 psig  
 TMA: 400 °C / 752 °F  
 Pressure: CL 300  
 Material: 1.4408 / A351-CF8M  
 Test certificates: 2.1 / 2.2 / 3.1 / 3.2.

GESTRA Universal Connector **UCY 36, UC 36**  
 Connection: Screwed sockets G, NPT, socket-weld ends  
 Size: ½", ¾", 1"  
 PMO: 33.7 bar / 488 psig  
 TMA: 400 °C / 752 °F  
 Material: 1.4408 / A351-CF8M  
 Pressure: CL 300  
 Fastener: 2 Hexagon head screws  
 Test certificates: 2.1 / 2.2 / 3.1 / 3.2.

### When ordering please state:

Steam pressure, back pressure, condensate flowrate, place of installation or type of steam user, type of steam trap unit, with or without connector, if with connector: size and type of end connection.

### The following test certificates can be issued on request, at extra cost:

In accordance with EN 10204-2.1, -2.2, 3.1 and 3.2  
 All inspection requirements have to be stated with the order. After supply of the equipment certification can no longer be established. Charges and extent of the above mentioned certificates as well as the different tests confirmed therein are listed in our Price List, section Test and Inspection Charges for Standard Equipment. For tests and inspections other than those listed above, please consult us.

### PED (Pressure Equipment Directive)

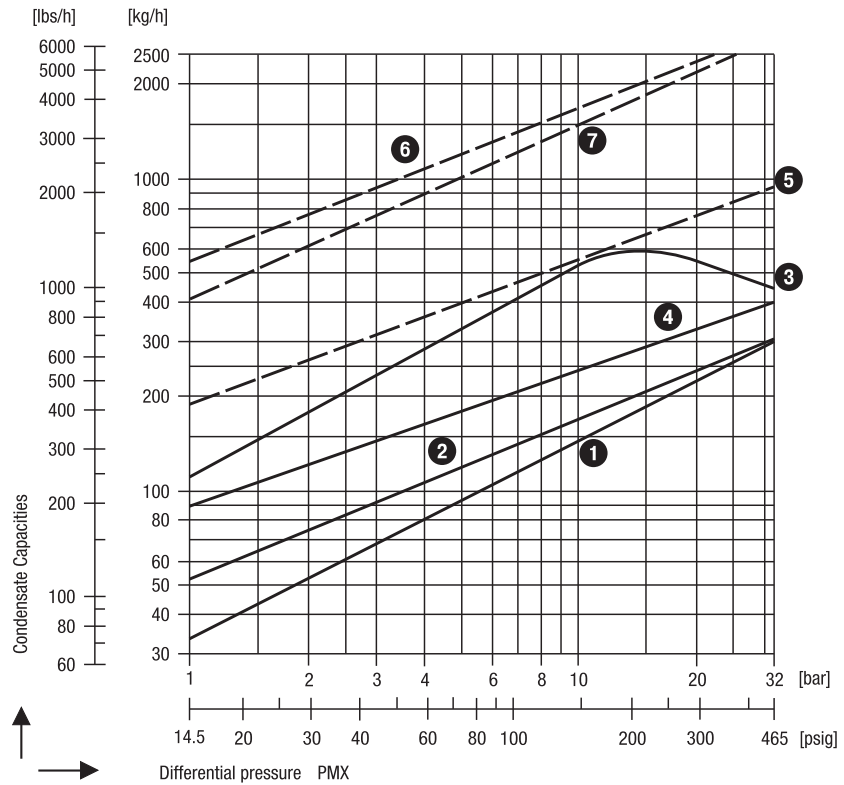
The equipment meets the requirements of the Pressure Equipment Directive (PED) 97/23/EC. Applicable with fluids of group 2. The equipment is excluded from the scope of the Directive according to section 3.3 and does not bear the CE marking.

### ATEX (Atmosphère Explosible)

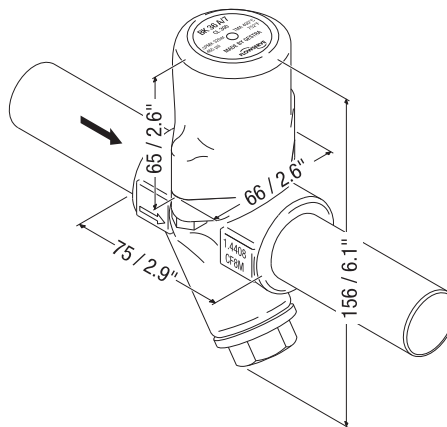
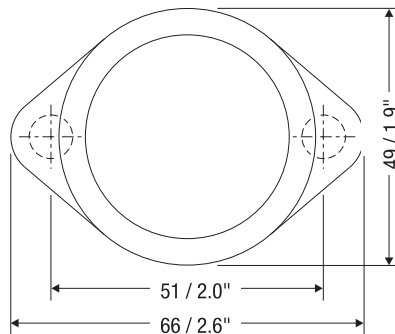
The equipment does not have its own potential source of ignition and is therefore excluded from the scope of the ATEX Directive 94/9/EC. Applicable in Ex zones 0, 1, 2, 20, 21, 22 (1999/92/EC). The equipment is not Ex marked.

Supply in accordance with our general terms of business.

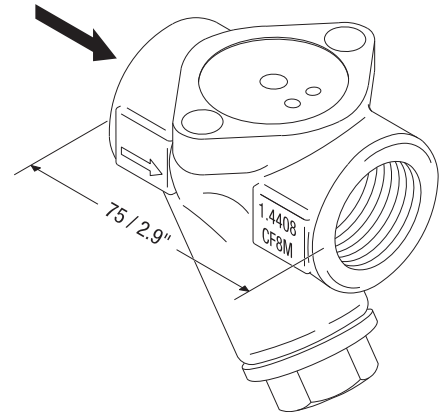
### Capacity Chart



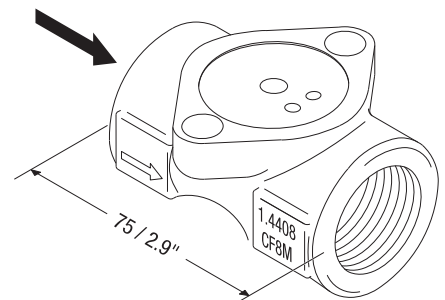
### Dimensions



### GESTRA Universal Connector



Universal connector UCY 36



Universal connector UC 36

BK 36 A/7, MK 36 A/71, MK 36 A/72, DK 36 A/7 with universal connector UCY 36