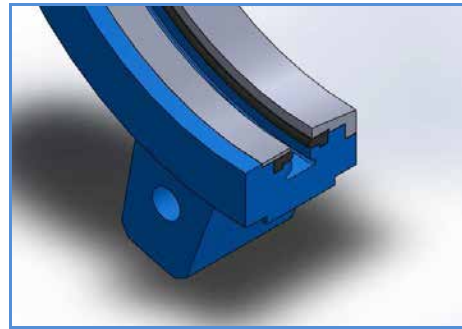
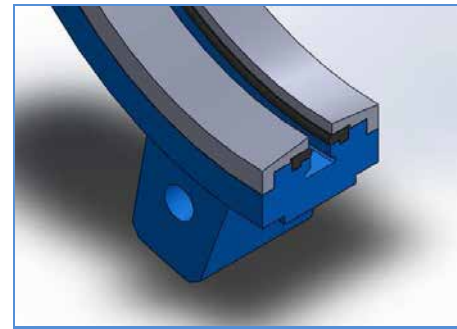


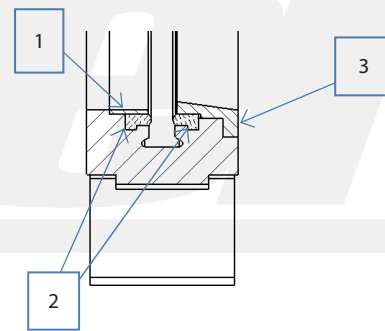
FB200, BIDIRECTIONAL



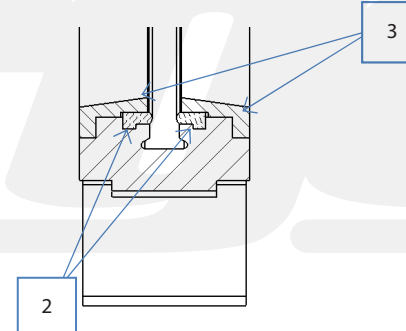
(1) Soft seated



(2) Soft seated, reinforced



Flow direction
↔



Flow direction
↔

- 1 Fixing ring
- 2 Soft seat
- 3 Scraper 8°