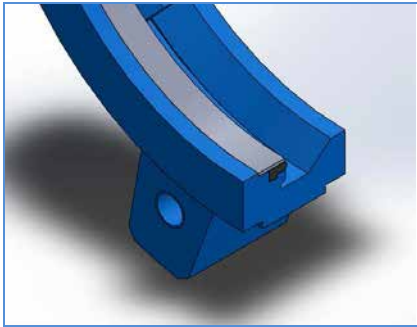
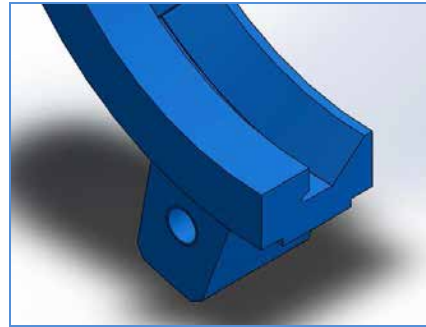


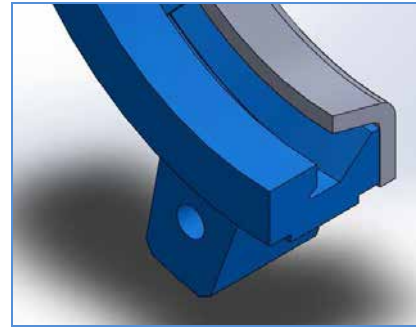
FM200, UNIDIRECTIONAL



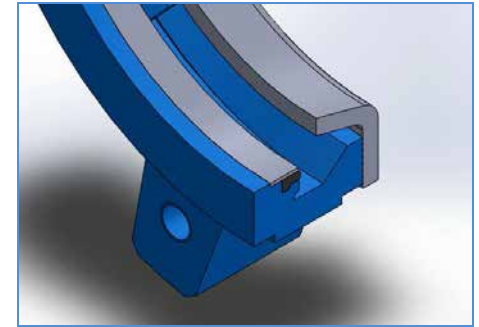
(1) Soft seated



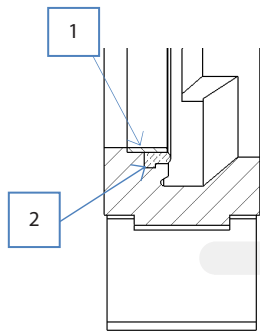
(2) Metal seated



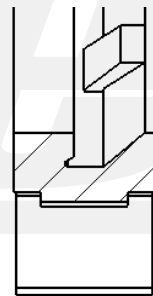
(3) Metal seated with deflecting cone 15°



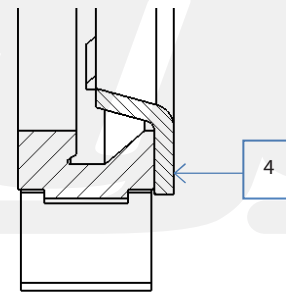
(4) Soft seated with deflecting cone 15°



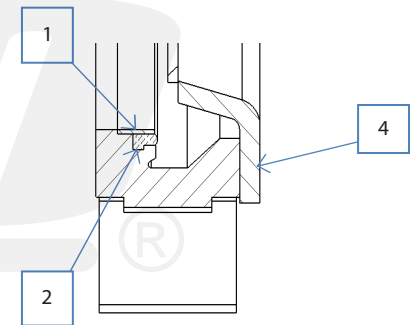
Flow direction
←



Flow direction
←



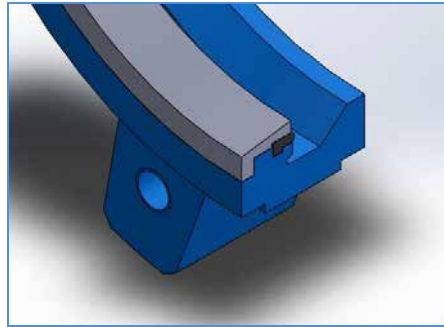
Flow direction
←



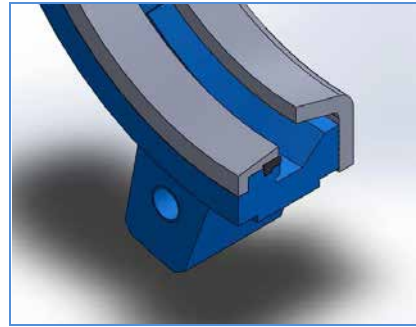
Flow direction
←

- 1 Fixing ring
- 2 Soft seat
- 3 Scraper 8°
- 4 Deflecting Cone 15°

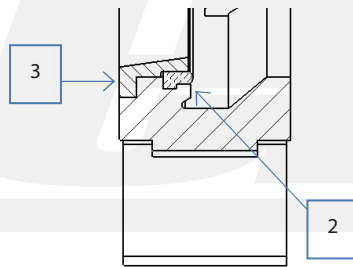
FM200, UNIDIRECTIONAL



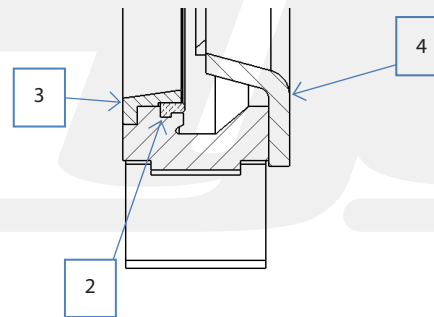
(5) Soft seated with scraper 8°



(6) Soft seated with deflecting cone 15°
& scraper 8°



Flow direction
←



Flow direction
←

- 1 Fixing ring
- 2 Soft seat
- 3 Scraper 8°
- 4 Deflecting Cone 15°