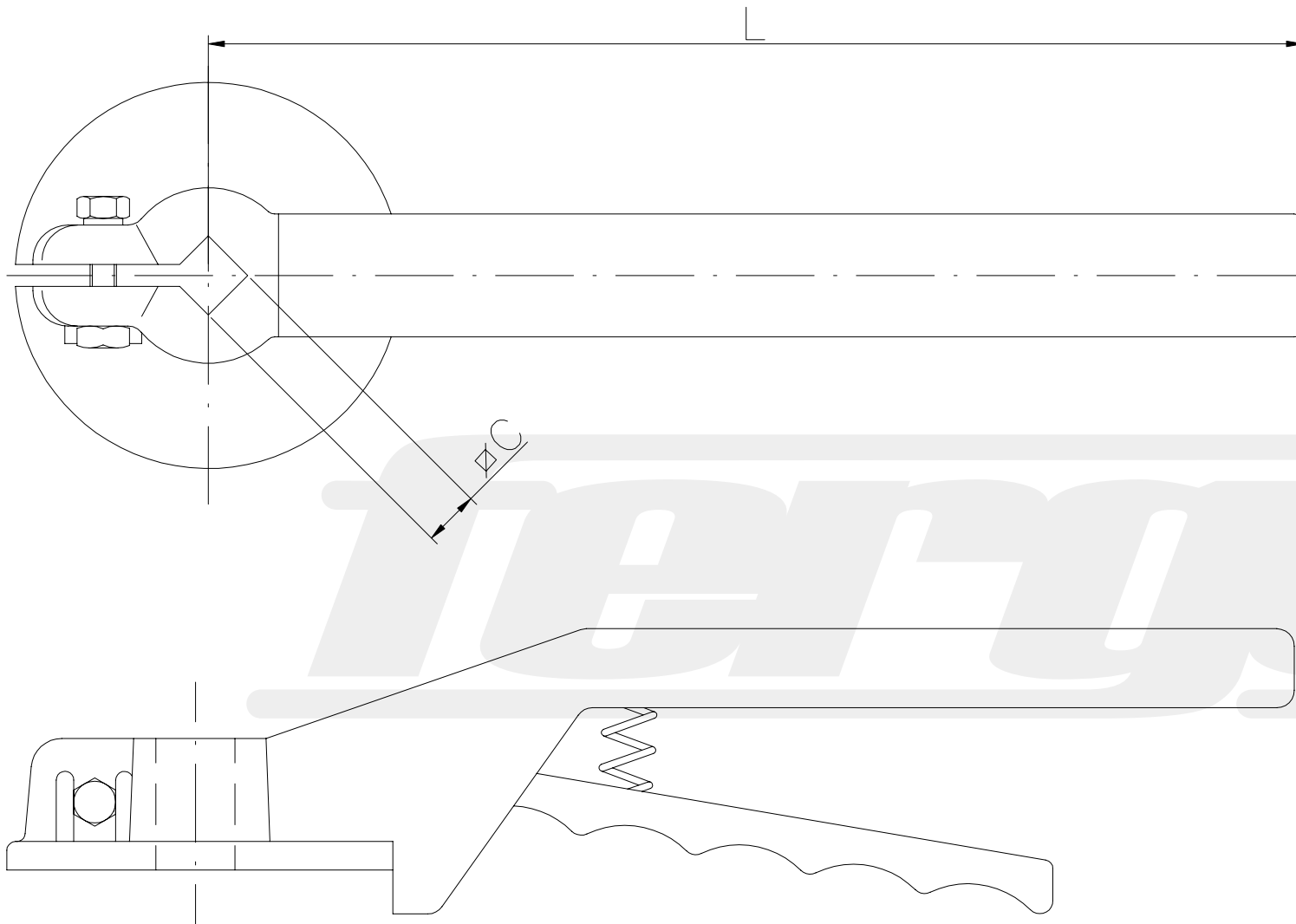


HANDHEBEL / HAND LEVER



Abmessungen / Dimensions [mm]

DN	NPS	∅C	L
32	1 1/4"	8	205
40	1 1/2"	8	205
50	2"	8	205
65	2 1/2"	11	205
80	3"	11	205
100	4"	11	205
125	5"	14	250
150	6"	14	400
200	8"	17	400

Werkstoffe / Materials

Bauteil / Part	Material
Handhebel / Hand lever	Aluminium



Design and materials can be changed without notice. Errors and omissions excepted

AK110/111/113

copyright © by
FERGO® Armaturen GmbH

Blindeisenweg 31
D-41468 Neuss

Tel.: +49(0)2131 - 15 39 28-0
Fax: +49(0)2131 - 15 39 28-99

Web: www.fergo.biz
E-Mail: info@fergo.biz

