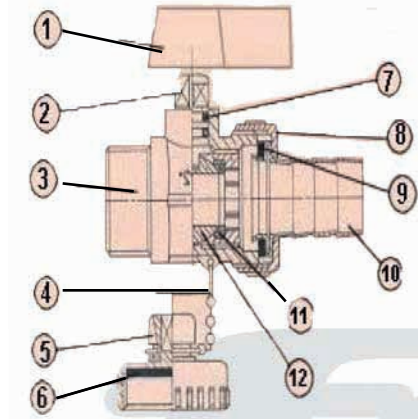


KH129



Materials

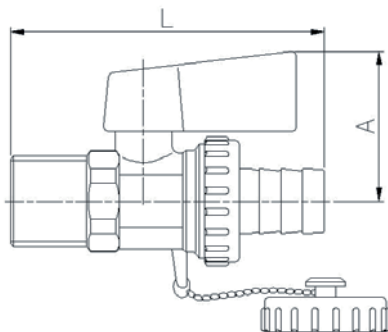
Nr.	Bauteil / Part	Material	Oberflächenbeh./Surface treatment
1	Handhebel / Handle		lackiert / painted
2	Spindel / Stem	Messing / Brass	verchromt / chrome-plated
3	Gehäuse / Body	Messing / Brass	verchromt / chrome-plated
4	Kette / Chain	Messing / Brass	verchromt / chrome-plated
5	Kappe / Cap	Messing / Brass	verchromt / chrome-plated
6	Dichtung / Joint	NBR	
7	O-Ring	NBR	
8	Mutter / Nut	Messing / Brass	verchromt / chrome-plated
9	Dichtung / Joint	NBR	
10	Schlauchanschluss / Hose connection	Messing / Brass	verchromt / chrome-plated
11	Kugeldichtung / Ball seats	PTFE	
12	Kugel / Ball	Messing / Brass	verchromt / chrome-plated

- D**
- Reduzierter Durchgang
 - Muffengewinde M gemäß DIN 17660
 - Gehäuse: Messing, verchromt
 - Kugel: Messing, verchromt
 - Kugeldichtung: PTFE
 - Temp. (min./max.): -10°C ... + 110°C
 - Druckbereich: PN25

- E**
- Reduced port design
 - Thread end gas male acc. to DIN 17660
 - Body: Brass, chrome-plated
 - Ball: Brass, chrome-plated
 - Ball seats: PTFE
 - Temp. (min./max.): -10°C ... + 110°C
 - Pressure range: PN25



FERGO®



Size	PN	P(mm)	A(mm)	L(mm)	Gewicht/Weight (g)
1/2"x3/4"	25	9	34	72	145

KH129