



## Thermostatic Steam Traps MK 35/31 and MK 35/32 PN 25, DN 3/8", 1/2"

### Description

Thermostatic steam trap with membrane regulator. Corrosion-resistant thermostatic capsule unaffected by waterhammer. Integral strainer. Asbestos-free cover gasket (graphite/CrNi). Installation in any position.

The traps with standard capsule N discharge the condensate with virtually no banking-up, the traps with special capsule U with an undercooling of approx. 30 K (degC).

#### MK 35/31 with tandem seat

In particular for low condensate flowrates. Optionally either with standard capsule 5 N 1 or undercooling capsule 5 U 1.

#### MK 35/32 with single seat

For larger condensate flowrates. Optionally either with standard capsule 5 N 2 or undercooling capsule 5 U 2.

Pressure/Temperature Rating*)		EN 1092-1, 3E0				
Body material	1.0460 (C 22.8) / ASTM A 105					
Nominal size	3/8", 1/2"					
End connections	Screwed sockets: BSP or NPT Socket-weld ends					
Max. service pressure	PMA [bar]	23.3	19.4	18.6	16.1	14.4
Related temperature	TMA [°C]	100	200	225	300	400
Max. differential pressure (inlet pressure minus outlet pressure)	DPMX [bar]	21				

\*) for the intended purpose of the equipment

Materials	EN	ASTM
Body	P250GH (1.0460)	A105
Cover	P250GH (1.0460)	A105
Cover screws	42CrMo4 (1.7225)	A193B7
Membrane	Hastelloy	
Other internals	Stainless steel	
Cover gasket	Graphite / CrNi	

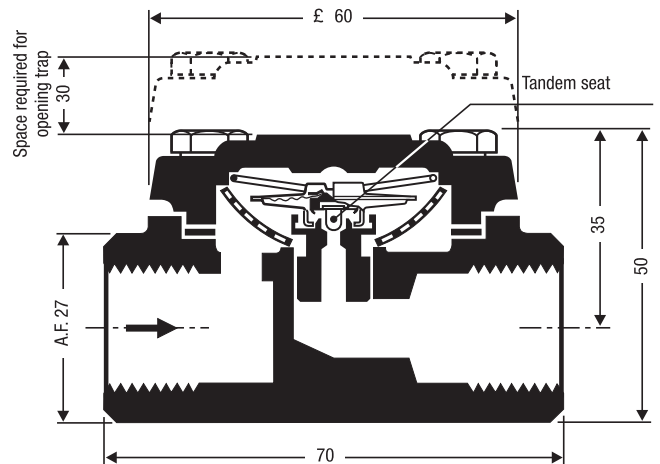
Weights		End connections			
		Screwed		Socket-weld	
Nominal sizes DN	[mm]	10	15	10	15
	[inch]	3/8	1/2	3/8	1/2
Approx. weight	[kg]	0.7		0.8	

### Connections

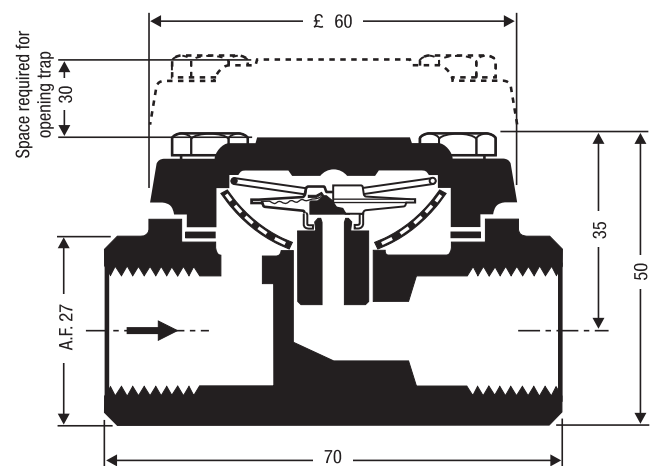
Screwed sockets: BSP or NPT (API).

Socket-weld ends.

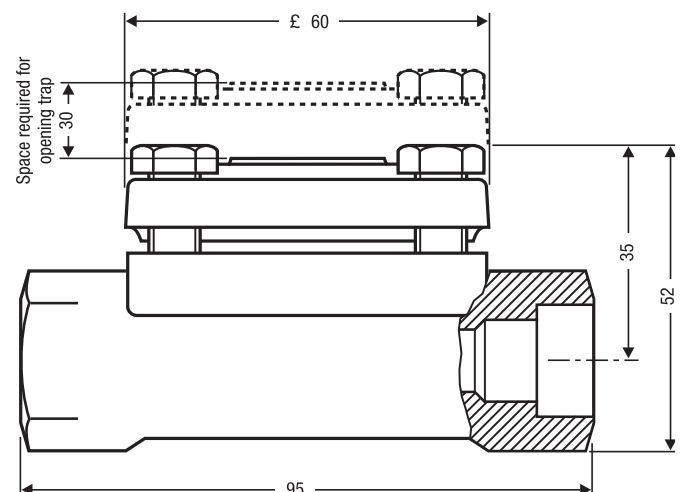
Trap ends have gasket surface for use when required.



MK 35/31 with screwed sockets



MK 35/32 with screwed sockets



MK 35/31, MK 35/32 with socket-weld ends

## Thermostatic Steam Traps MK 35/31 and MK 35/32 PN 25, DN 3/8", 1/2"

### Capacity Charts

The charts show the maximum capacities for hot and cold condensate.

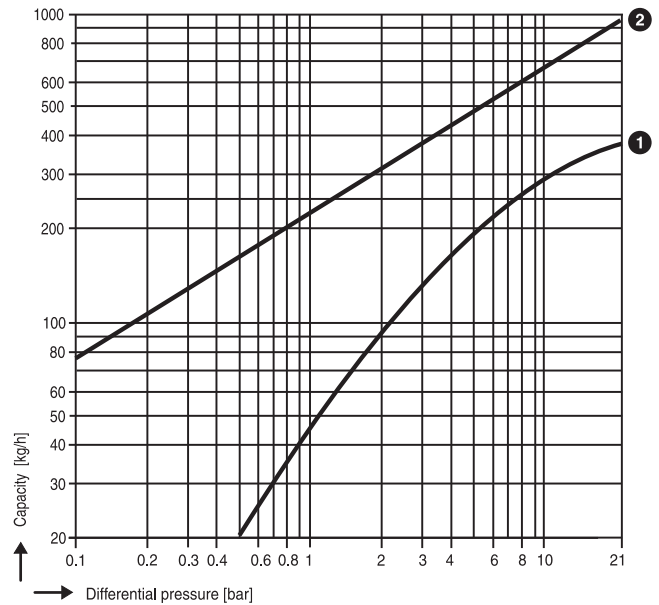
#### Curve 1

Curve 1 indicates the max. capacity of hot condensate that the traps with N capsule can discharge at a condensate temperature of approx. 10 K (degC) below saturation temperature (virtually no banking-up), and the traps with U (undercooling) capsule when the condensate is approx. 30 K (degC) below the saturated steam temperature.

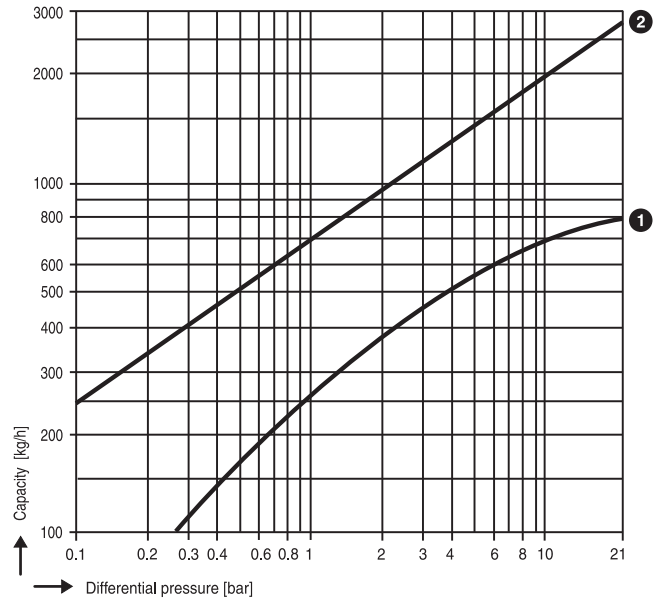
#### Curve 2

Curve 2 shows the max. capacity of cold condensate that the traps can discharge (condensate temperature 20 °C).

Capacity Chart  
for MK 35/31



Capacity Chart  
for MK 35/32



### When ordering please state:

Steam pressure, back pressure, quantity of condensate to be discharged, type, size, connections, mounting position of the trap and details of application.

The following test certificates can be issued on request, at extra cost:

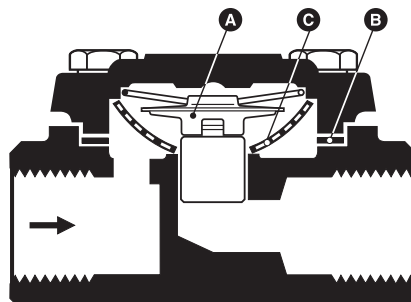
In accordance with EN 10204/2.2, and 3.1B.

All inspection requirements have to be stated with the order. After supply of the equipment certification cannot be established. For tests and inspection charges please consult us.



These products comply with the requirements of the Pressure Equipment Directive (PED) 97/23/EC.

DN 3/8 and DN 1/2 are excluded from the scope of this Directive (Article 3.3) and must not bear the CE marking.



Item no.	Designation	Stock code
A B C	Thermostatic capsule 5N1, cover gasket, spring, strainer	376837
	Thermostatic capsule 5N2, cover gasket, spring, strainer	376836
	Thermostatic capsule 5U1, cover gasket, spring, strainer	377259
	Thermostatic capsule 5U2, cover gasket, spring, strainer	377260
	Thermostatic capsule 5H1, cover gasket, spring, strainer	377261
	Thermostatic capsule 5H2, cover gasket, spring, strainer	377262
B	Cover gasket (20 pcs) <sup>1)</sup>	377258

<sup>1)</sup> For smaller quantities please contact your local dealer.