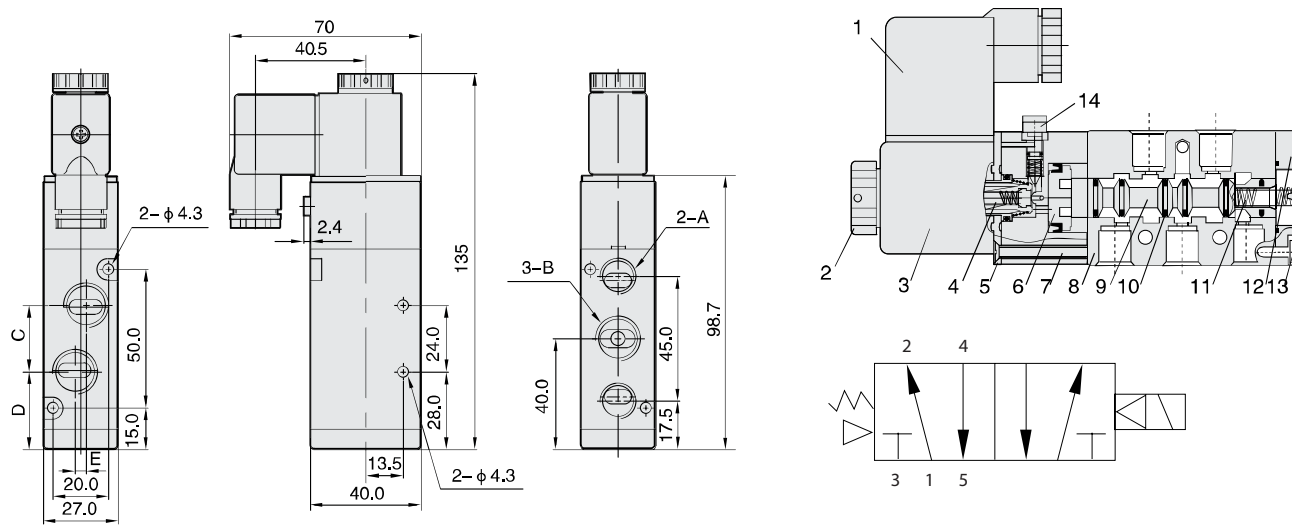


PVEX52321



Materials

1	Connector	Engineering plastic
2	Nut	Engineering plastic
3	Coil	Engineering plastic
4	Active Armature	Solenoid stainless steel
5	Steel part	Stainless steel
6	Piston	Engineering plastic
7	Screw	Steel
8	Body	Engineering plastic
9	Wearing	Aluminium
10	Seal	NBR
11	Spring	Stainless steel
12	End cap	Engineering plastic
13	Screw	Steel
14	Manual override	Engineering plastic

Specifications

Working pressure: 1,5 - 8bar
 Working temperature: -5 - 60°C
 Working medium: Air (Filter Precision: 40µm)
 Weight: PVEX52321: 120g, PVEX52322: 175g
 Air connection: G 1/4"
 Acting frequency: max. 4 times/s

PVEX52322

