

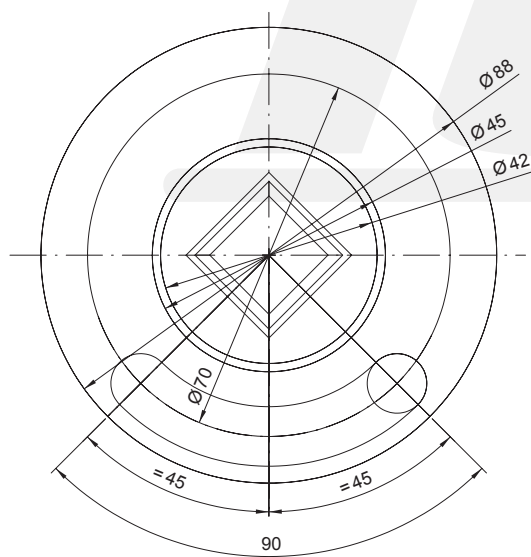
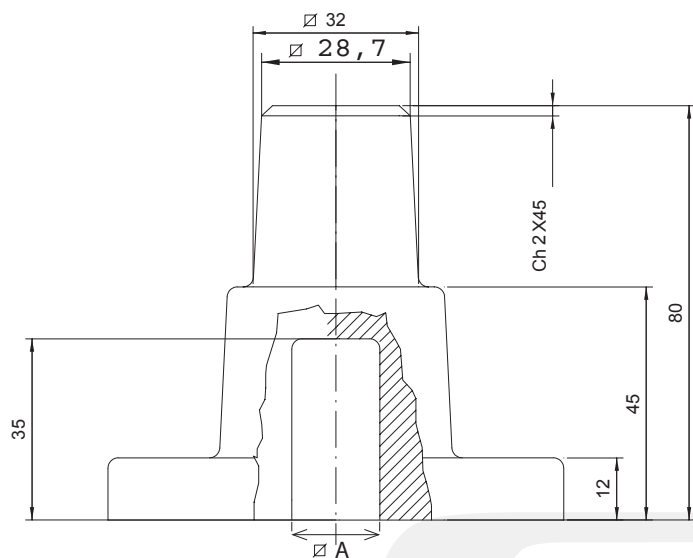
VIERKANTSCHONER / SQUARE CAP

Werkstoffe / Materials

Bauteil / Part	Material
Handhebel / Hand lever	Aluminium, Sphäroguss / Nodular iron, JS-1050 (ASTM 536)

Abmessungen / Dimensions [mm]

A	8	11	14	17



AK110/111/113

copyright © by
FERGO® Armaturen GmbH

Blindeisenweg 31
D-41468 Neuss

Tel.: +49(0)2131 - 15 39 28-0
Fax: +49(0)2131 - 15 39 28-99

Web: www.fergo.biz
E-Mail: info@fergo.biz

fergo®

Design and materials can be changed without notice. Errors and omissions excepted