

Features

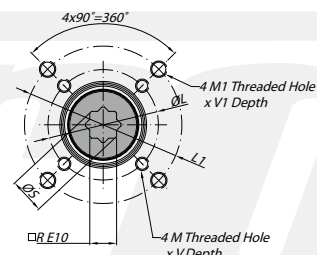
Mounting of solenoid valves	Namur Std.
Mounting of devices	NAMUR VDI/VDE 3845 Std.
Coupling according to	ISO 5211 and DIN 3337
Marking	Ex II 2 GDc LCIE 05 AR 022
Certificates	ISO 9001 / SIL 3

Materials

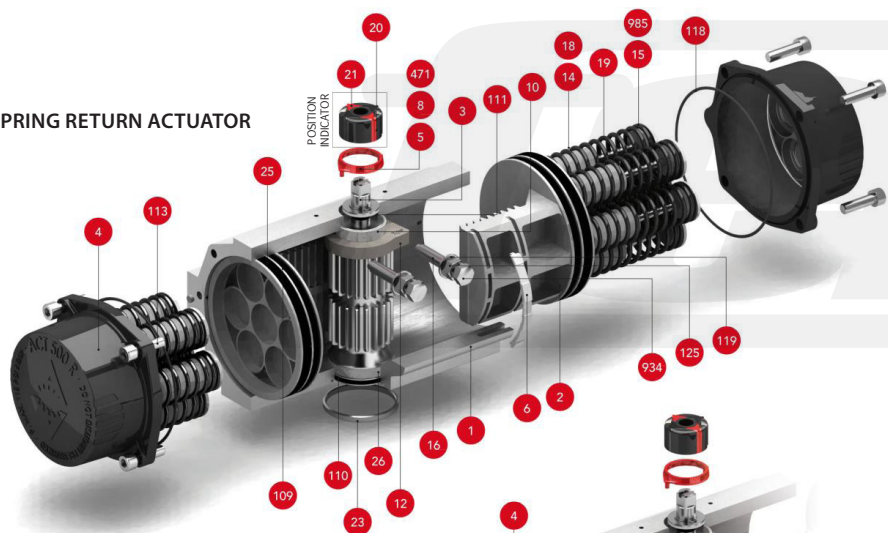
1	Body	Aluminium hard anodized
2	Piston	Aluminium
3	Pinion	Nickel plated carbon steel
4	End caps	Aluminium epoxy coated
5	Soft piston washer	Polyamide PA 6,6
6	Slide piston	Polyamide PA 6,6 + 30% G.F.
8	Pinion washer	Stainless steel
10	Upper pinion bearing	Polyamide PA 6,6
12	Stop	ASTM A 105
14	(*) Springs long support	Polyamide PA 6,6
15	(*) Springs short support	Polyamide PA 6,6
16	Leveling screw	Stainless steel
18	(*) Bolt	Stainless steel
19	(*) Spring	DIN 2076 - D-5,6
20	Position indicator	Polyamide
21	Cam	Polyamide
23	Centering ring	Nickel plated carbon steel
24	Plug air stop	NBR
25	Slide guide	Polyamide PA 6,6 + 30% G.F.
26	Lower pinion bearing	Polyamide PA 6,6
109	O-ring	NBR
110	O-ring	NBR
111	O-ring	NBR
113	Bolt	Stainless steel
118	O-ring	NBR
119	O-ring	NBR
125	Washer	Stainless steel
913	Set screw	Stainless steel
471	External circlip	Stainless steel
934	Nut	Stainless steel
985	(*) Nut	Stainless steel

(*) Only for series SR

ISO 5211 DETAIL



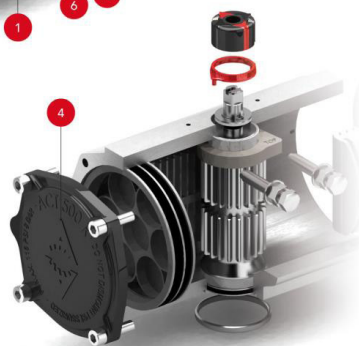
SPRING RETURN ACTUATOR



POSITION INDICATOR



DOUBLE ACTING ACTUATOR



Dimensions [mm]

A	A'	B	C	D	E	F	I	R	ØS	ISO 5211	ØL	MxV	ISO 5211	ØL1	M1xV1	ØT	X	U
258	196	147	122	71	60	12	12,5	17	22,5	F05	50	M6x10	F07	70	M8x16	55	3	22

Max. pressure	Rotation	Screw stroke adjustment	Chamber Ø (mm)	Air volume (L)	Stroke Time, Sec. (A)		Operating Temperature (°C)			
					Opening	Closing	STD (std.)	HT (high temp.)	LT (low temp.)	
8 bar	90° ± 5°	for 1° need 1/4 turn	90,5	0,77	0,76	D 0,15	D 0,15	NBR O-ring	FPM O-ring	Silicone O-ring
						S 0,32	S 0,50	-30°...+100°C	-15°...+150°C	-40°...+80°C

DA double acting actuator torque output in [Nm]

Type	3 bar		3,5 bar		4 bar		4,5 bar		5 bar		5,5 bar		6 bar		6,5 bar		7 bar		8 bar		Weight [kg]
	0°	90°	0°	90°	0°	90°	0°	90°	0°	90°	0°	90°	0°	90°	0°	90°	0°	90°	0°	90°	
D	59,1		68,9		78,7		88,6		98,4		108,3		118		128		138		157		3,8

SR spring return actuator torque output in [Nm]

Type	3 bar		3,5 bar		4 bar		4,5 bar		5 bar		5,5 bar		6 bar		6,5 bar		7 bar		8 bar		Spring stroke	Weight [kg]	
	0°	90°	0°	90°	0°	90°	0°	90°	0°	90°	0°	90°	0°	90°	0°	90°	0°	90°	0°	90°			End
S06	43	36	52	46	62	56	72	65	82	75	92	85	102	95	111	105	121	115	141	134	19	27	4,4
S08			47	38	57	48	67	58	76	68	86	77	96	87	106	97	116	107	135	127	26	36	4,5
S10					51	40	61	50	71	60	81	70	91	80	100	89	110	99	130	119	32	45	4,6
S12							56	42	65	52	75	62	85	72	95	82	105	92	124	111	39	54	4,7
S14**											70	54	80	64	89	74	99	84	119	103	45	64	4,8

** Standard construction