

**Features**

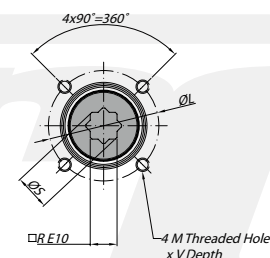
Mounting of solenoid valves	Namur Std.
Mounting of devices	NAMUR VDI/VDE 3845 Std.
Coupling according to	ISO 5211 and DIN 3337
Marking	Ex II 2 G Dc   LCIE 05 AR 022
Certificates	ISO 9001 / SIL 3

**Materials**

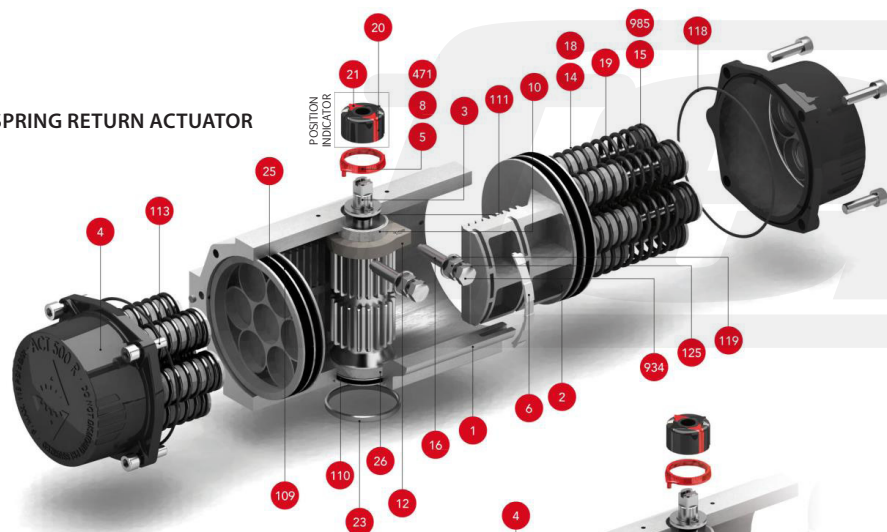
1	Body	Aluminium hard anodized
2	Piston	Aluminium
3	Pinion	Nickel plated carbon steel
4	End caps	Aluminium epoxy coated
5	Soft piston washer	Polyamide PA 6,6
6	Slide piston	Polyamide PA 6,6 + 30% G.F.
8	Pinion washer	Stainless steel
10	Upper pinion bearing	Polyamide PA 6,6
12	Stop	ASTM A 105
14	(*) Springs long support	Polyamide PA 6,6
15	(*) Springs short support	Polyamide PA 6,6
16	Leveling screw	Stainless steel
18	(*) Bolt	Stainless steel
19	(*) Spring	DIN 2076 - D-5,6
20	Position indicator	Polyamide
21	Cam	Polyamide
23	Centering ring	Nickel plated carbon steel
24	Plug air stop	NBR
25	Slide guide	Polyamide PA 6,6 + 30% G.F.
26	Lower pinion bearing	Polyamide PA 6,6
109	O-ring	NBR
110	O-ring	NBR
111	O-ring	NBR
113	Bolt	Stainless steel
118	O-ring	NBR
119	O-ring	NBR
125	Washer	Stainless steel
913	Set screw	Stainless steel
471	External circlip	Stainless steel
934	Nut	Stainless steel
985	(*) Nut	Stainless steel

(\*) Only for series SR

**ISO 5211 DETAIL**



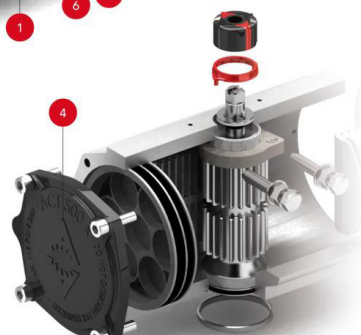
**SPRING RETURN ACTUATOR**



**POSITION INDICATOR**



**DOUBLE ACTING ACTUATOR**



**Dimensions [mm]**

A	A'	B	C	D	E	F	I	R	ØS	ISO 5211	ØL	MxV	ISO 5211	ØL1	M1xV1	ØT	X	U
601	461	280	242,5	131	130	16	18,6	36	48,5	F14	140	M16x26	-	-	-	100	4	50

Max. pressure	Rotation	Screw stroke adjustment	Chamber Ø (mm)	Air volume (L)	Stroke Time, Sec. (A)		Operating Temperature (°C)			
					Opening	Closing	STD (std.)	HT (high temp.)	LT (low temp.)	
8 bar	90° ± 5°	for 1° need 1/4 turn	210	9,8	9,3	D 1,80	D 2,00	NBR O-ring	FPM O-ring	Silicone O-ring
						S 2,80	S 3,20	-30°...+100°C	-15°...+150°C	-40°...+80°C

**DA double acting actuator torque output in [Nm]**

Type	3 bar		3,5 bar		4 bar		4,5 bar		5 bar		5,5 bar		6 bar		6,5 bar		7 bar		8 bar		Weight [kg]
	0°	90°	0°	90°	0°	90°	0°	90°	0°	90°	0°	90°	0°	90°	0°	90°	0°	90°	0°	90°	
D	707	707	824	824	942	942	1060	1060	1178	1178	1295	1295	1413	1413	1531	1531	1649	1649	1884	1884	32,5

**SR spring return actuator torque output in [Nm]**

Type	3 bar		3,5 bar		4 bar		4,5 bar		5 bar		5,5 bar		6 bar		6,5 bar		7 bar		8 bar		Spring stroke	Weight [kg]	
	0°	90°	0°	90°	0°	90°	0°	90°	0°	90°	0°	90°	0°	90°	0°	90°	0°	90°	0°	90°			
S06	477	349	595	466	712	584	830	702	948	820	1066	937	1183	1055	1301	1173	1419	1291	1654	1526	270	421	39,3
S08	400	229	518	347	636	465	754	582	871	700	989	818	1107	936	1225	1053	1342	1171	1578	1407	360	562	41,0
S10			441	228	559	345	677	463	795	581	912	699	1030	816	1148	934	1266	1052	1501	1287	451	702	42,7
S12							600	344	718	461	836	579	954	697	1071	815	1189	933	1425	1168	541	843	44,4
S14**									642	342	759	460	877	578	995	695	1113	813	1348	1049	631	983	46,0

\*\* Standard construction