

**Features**

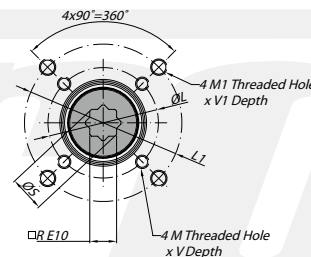
Mounting of solenoid valves	Namur Std.
Mounting of devices	NAMUR VDI/VDE 3845 Std.
Coupling according to	ISO 5211 and DIN 3337
Marking	Ex II 2 GDc   LCIE 05 AR 022
Certificates	ISO 9001 / SIL 3

**Materials**

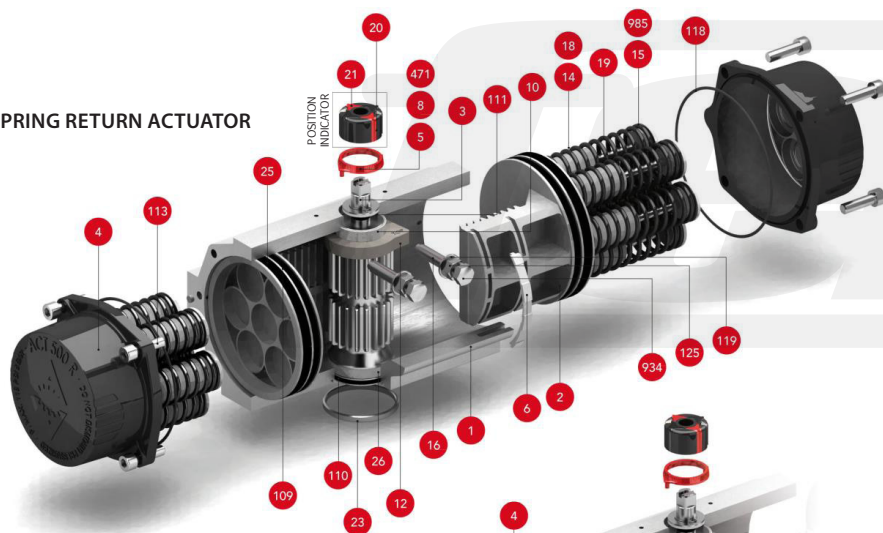
1 Body	Aluminium hard anodized
2 Piston	Aluminium
3 Pinion	Nickel plated carbon steel
4 End caps	Aluminium epoxy coated
5 Soft piston washer	Polyamide PA 6,6
6 Slide piston	Polyamide PA 6,6 + 30% G.F.
8 Pinion washer	Stainless steel
10 Upper pinion bearing	Polyamide PA 6,6
12 Stop	ASTM A 105
14 (*) Springs long support	Polyamide PA 6,6
15 (*) Springs short support	Polyamide PA 6,6
16 Leveling screw	Stainless steel
18 (*) Bolt	Stainless steel
19 (*) Spring	DIN 2076 - D-5,6
20 Position indicator	Polyamide
21 Cam	Polyamide
23 Centering ring	Nickel plated carbon steel
24 Plug air stop	NBR
25 Slide guide	Polyamide PA 6,6 + 30% G.F.
26 Lower pinion bearing	Polyamide PA 6,6
109 O-ring	NBR
110 O-ring	NBR
111 O-ring	NBR
113 Bolt	Stainless steel
118 O-ring	NBR
119 O-ring	NBR
125 Washer	Stainless steel
913 Set screw	Stainless steel
471 External circlip	Stainless steel
934 Nut	Stainless steel
985 (*) Nut	Stainless steel

(\*) Only for series SR

**ISO 5211 DETAIL**



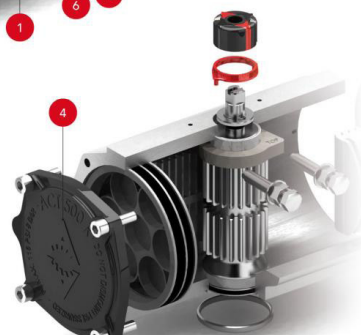
**SPRING RETURN ACTUATOR**



**POSITION INDICATOR**



**DOUBLE ACTING ACTUATOR**



**Dimensions [mm]**

A	A'	B	C	D	E	F	I	R	ØS	ISO 5211	ØL	MxV	ISO 5211	ØL1	M1xV1	ØT	X	U
473	372	221	191,5	106	98	12	12,5	27	36,5	F10	102	M10x17	F12	125	M12x20	85	3	39

Max. pressure	Rotation	Screw stroke adjustment	Chamber Ø (mm)	Air volume (L)	Stroke Time, Sec. (A)		Operating Temperature (°C)			
					Opening	Closing	STD (std.)	HT (high temp.)	LT (low temp.)	
8 bar	90° ± 5°	for 1° need 1/4 turn	160	4,7	3,86	D 0,80	D 0,90	NBR O-ring	FPM O-ring	Silicone O-ring
						S 2,20	S 2,60	-30°...+100°C	-15°...+150°C	-40°...+80°C

**DA double acting actuator torque output in [Nm]**

Type	3 bar		3,5 bar		4 bar		4,5 bar		5 bar		5,5 bar		6 bar		6,5 bar		7 bar		8 bar		Weight [kg]
	0°	90°	0°	90°	0°	90°	0°	90°	0°	90°	0°	90°	0°	90°	0°	90°	0°	90°			
D	359		419		479		538		598		658		718		778		837		957		16,9

**SR spring return actuator torque output in [Nm]**

Type	3 bar		3,5 bar		4 bar		4,5 bar		5 bar		5,5 bar		6 bar		6,5 bar		7 bar		8 bar		Spring stroke	Weight [kg]	
	0°	90°	0°	90°	0°	90°	0°	90°	0°	90°	0°	90°	0°	90°	0°	90°	0°	90°					
S06	260	209	320	269	380	328	440	388	500	448	559	508	619	568	679	627	739	687	858	807	116	177	19,7
S08	227	159	287	218	347	278	407	338	467	398	526	458	586	518	646	577	706	637	826	757	155	236	20,3
S10			254	168	314	228	374	288	434	348	494	408	553	467	613	527	673	587	793	707	193	295	20,9
S12							341	238	401	298	461	358	521	417	580	477	640	537	760	657	232	353	21,6
S14**											428	307	488	367	547	427	607	487	727	607	271	412	22,2

\*\* Standard construction