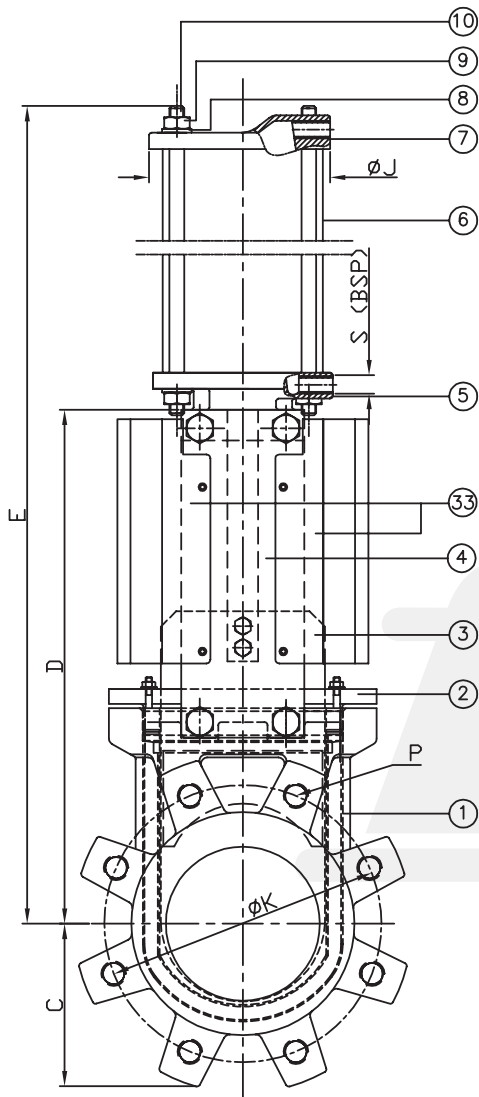
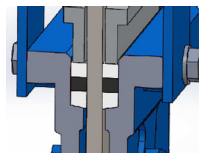
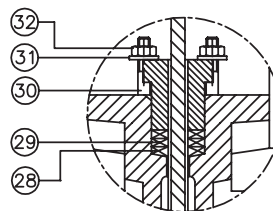


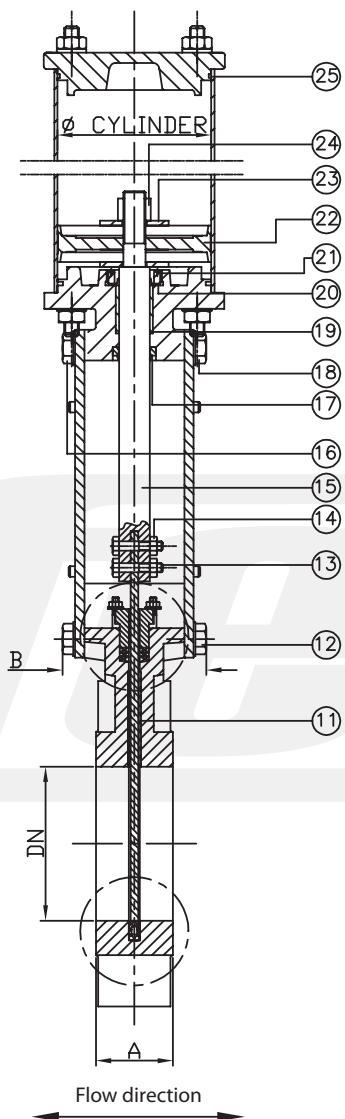
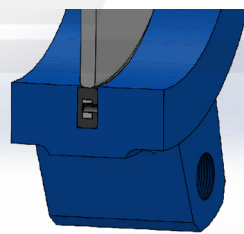
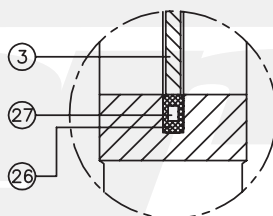
**BIDIRECTIONAL TIGHTNESS**



**PACKING DETAIL**



**SEAT DETAIL**



**Dimensions\***

DN	INCH	A	B	C	D	E	Ø Cylinder	ØJ	S (B.S.P.)	ØK PN10	P No. holes	P PN10
50	2"	40	90	65	238	409	80	102	1/4"	125	4	M16
65	2 1/2"	40	90	70	266	454	80	102	1/4"	145	4	M16
80	3"	50	90	92	291	495	80	102	1/4"	160	8	M16
100	4"	50	90	107	337	559	100	122	1/4"	180	8	M16
125	5"	50	100	120	366	629	125	147	1/4"	210	8	M16
150	6"	60	100	130	416	705	125	147	1/4"	240	8	M20
200	8"	60	120	158	523	870	160	182	1/4"	295	8	M20
250	10"	70	120	200	622	1038	200	229	1/4"	350	12	M20

**Materials\***

Execution in:	Cast iron
1 <b>Body</b>	GG25
2 <b>Packing gland</b>	Aluminium
3 <b>Gate</b>	1.4306/SS304L
4 <b>Support plate</b>	Steel
5 <b>Lower cup</b>	Aluminium
6 <b>Pneumatic tube</b>	Aluminium
7 <b>Upper cup</b>	Aluminium
8 <b>Washer</b>	Steel
9 <b>Nut</b>	Steel
10 <b>Tie rod</b>	Steel
11 <b>Internal guides</b>	Cestilene HD1000
12 <b>Bolts</b>	A2
13 <b>Union studs</b>	A2
14 <b>Union nuts</b>	A2
15 <b>Stem</b>	1.4305/SS303
16 <b>Nut</b>	A2
17 <b>Scraper</b>	NBR
18 <b>Actuator fixing nut</b>	Steel
19 <b>Gasket</b>	Bronze
20 <b>Sealing ring</b>	NBR
21 <b>Sealing gland</b>	1.4408/SS316
22 <b>Piston rod</b>	NBR
23 <b>Washer</b>	A2
24 <b>Nut</b>	A2
25 <b>Sealing o-ring</b>	EPDM
26 <b>Seat</b>	EPDM / NBR / Viton
27 <b>Seat reinforcement</b>	Steel
28 <b>Packing</b>	Synt. + PTFE
29 <b>Packing o-ring</b>	EPDM / NBR / Viton
30 <b>Studs</b>	A2
31 <b>Washer</b>	A2
32 <b>Nut</b>	A2
33 <b>Protections</b>	1.4306/SS304L

Maximum working pressure recommended  
DN50 - DN250: 10 bar

Standard test pressure  
DN50 - DN250: 6 bar

Colour\*  
RAL 5015

Flanges drilled according to  
EN 1092-2 and DIN 2501: ISO PN10 or ANSI 150

- U-profile perimeter resilient seat
- Internal gate guides with integrated scraper effect
- Full bore 100%

(for further informations please visit our download section on our website)

\*Other dimensions / materials / colours on request.