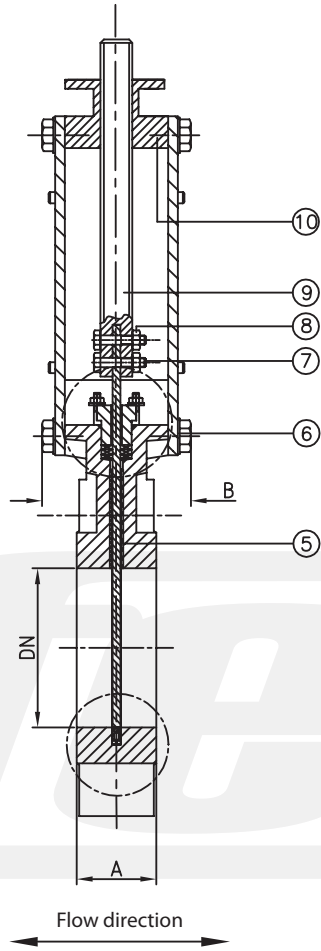
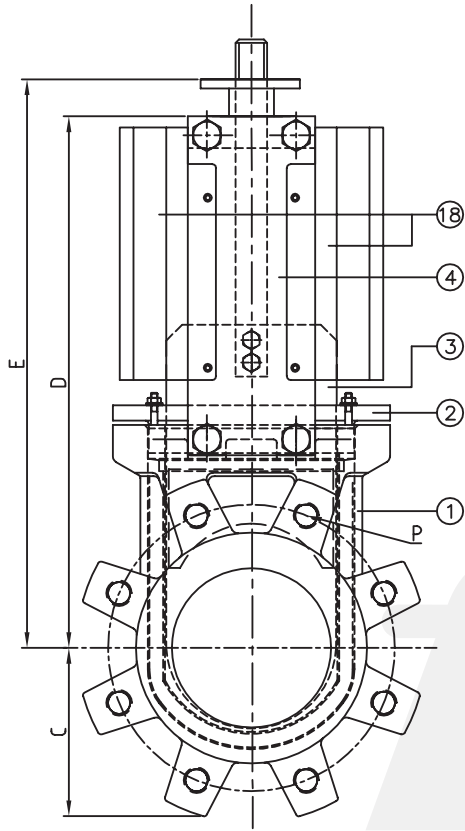
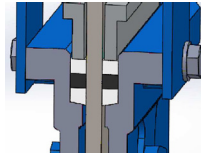
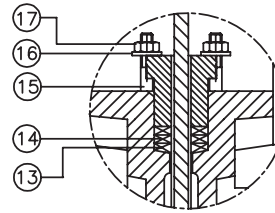


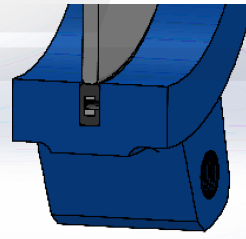
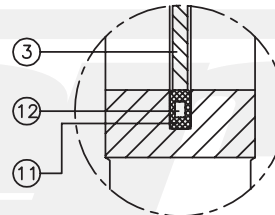
BIDIRECTIONAL TIGHTNESS



PACKING DETAIL



SEAT DETAIL



Dimensions*

DN	INCH	A	B	C	D	E	ØK PN10	P No. holes	P PN10
50	2"	40	90	65	238	294	125	4	M16
65	2 1/2"	40	90	70	266	322	145	4	M16
80	3"	50	90	92	291	347	160	8	M16
100	4"	50	90	107	337	393	180	8	M16
125	5"	50	100	120	366	633	210	8	M16
150	6"	60	100	130	416	472	240	8	M20
200	8"	60	120	158	523	581	295	8	M20
250	10"	70	120	200	622	680	350	12	M20

Materials*

Execution in:	Cast iron
1 Body	GG25
2 Gasket clamp	Aluminium
3 Gate	1.4306/SS304L
4 Support plate	Steel
5 Internal guides	Cestilene HD1000
6 Bolts	A2
7 Union studs	A2
8 Union nuts	A2
9 Spindle	1.4305/SS303
10 Manoeuvring support	Steel
11 Seat	EPDM / NBR / Viton
12 Seat reinforcement	Steel
13 Packing	Synt. + PTFE
14 Toric joint	EPDM / NBR / Viton
15 Studs	A2
16 Washer	A2
17 Nut	A2
18 Protections	1.4306/SS304L

Maximum working pressure recommended
DN50 - DN250: 10 bar

Standard test pressure
DN50 - DN250: 6 bar

Colour*
RAL 5015

Flanges drilled according to
EN 1092-2 and DIN 2501: ISO PN10 or ANSI 150

- U-profile perimeter resilient seat
- Internal gate guides with integrated scraper effect
- Full bore 100%

(for further informations please visit our download section on our website)

*Other dimensions / materials / colours on request.