

AK131

Split Lug DN32-200 | PN10-16-ANSI150

VALVE WITH BARE SHAFT

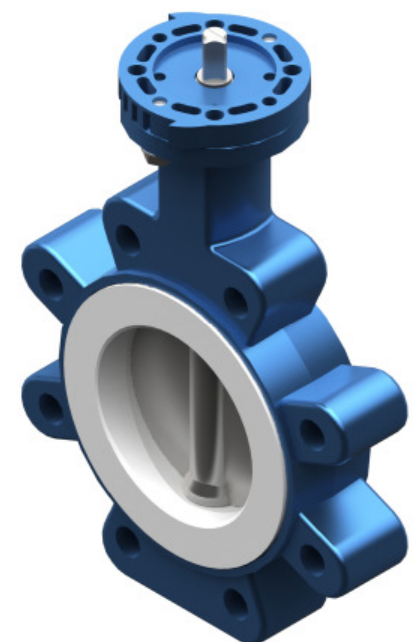
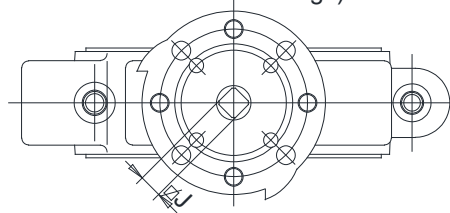
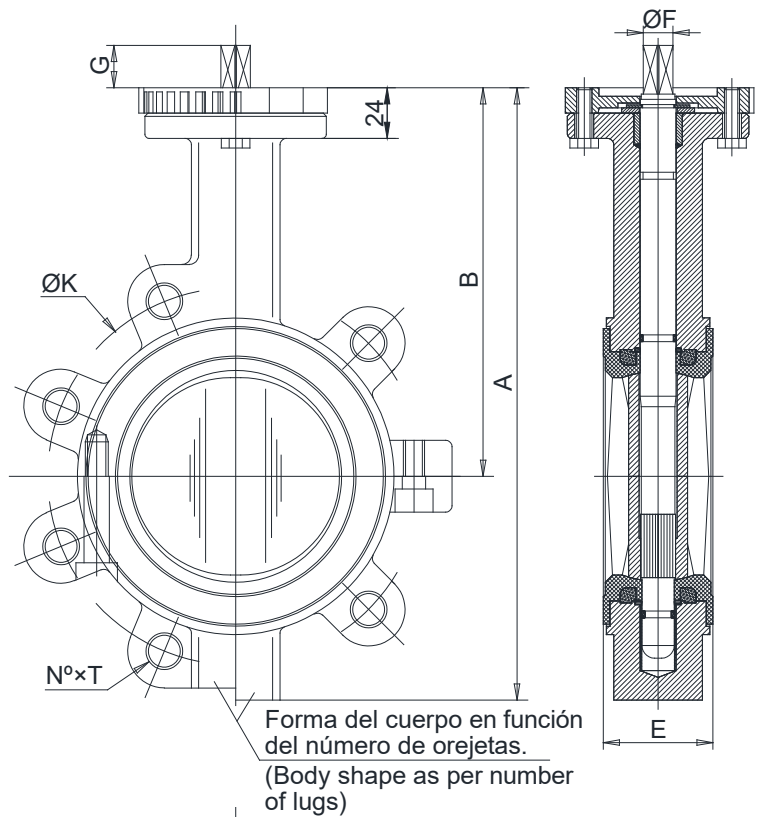
Model: 20LP9540 PTFE

Date: 11-07-2018

Revision: 0

Page: 1/2

- ▶ **Body** Ductile Iron
EN 1563 - GJS500-7
- ▶ **Shaft** Stainless Steel
ASTM A564 Gr. 630 17 4PH
- ▶ **Disc** Stainless Steel
ASTM A351 CF 8M
- ▶ **Seat** PTFE
- ▶ **Temperature** -25°C up to +220°C
- ▶ **Tolerances** ISO 2768-M
- ▶ **Face to Face** EN 558 Series 20
ISO 5752 Series 20
API 609 Table 1
BS 5155 Series 4
- ▶ **Pressure test according to standards** API 598, ISO 5208:
Body: 1.5×PN
Seat: 1.1×PN
- ▶ **Mounting between angles** ISO 7005 - 1, 2 & 3 PN10-16
ANSI B16.5 CL. 150#
JIS B2210 - 10K
AS2129 TABLE E
- ▶ **Tightness test** ISO 5208, Rate A
API 598



DN		A	B	E	F	G	J	ISO 5211	PN10		PN16		ANSI150		Weight Kg
mm	inch								K	N°xT	K	N°xT	K	N°xT	
40	1½"	205	140	33	9.5	14	8	F05-07	110	4xM16	110	4xM16	98.5	4x1/2"	4
50	2"	226	156	43	9.5	14	8	F05-07	125	4xM16	125	4xM16	120.6	4x5/8"	5.5
65	2½"	242	161	46	12	16	9	F05-07	145	4xM16	145	4xM16	139.7	4x5/8"	6
80	3"	262	167	46	14	16	11	F05-07	160	8xM16	160	8xM16	152.4	4x5/8"	6.5
100	4"	290	184	52	14	20	11	F07	180	8xM16	180	8xM16	190.5	8x5/8"	8
125	5"	326	207	56	17	20	14	F07	210	8xM16	210	8xM16	215.9	8x3/4"	11
150	6"	348	215	56	17	20	14	F07	240	8xM20	240	8xM20	241.3	8x3/4"	12
200	8"	438	257	60	21	24	17	F07	295	8xM20	295	12xM20	298.5	8x3/4"	19

Your distribution partner:

fergo

Blindeisenweg 31 • D-41468 Neuss • Tel.: +49 2131 / 15 39 28-0 • Fax: +49 2131 / 15 39 28-99 • info@fergo.eu • www.fergo.eu

AK131

Split Lug DN250-300 | PN10-16-ANSI150

VALVE WITH BARE SHAFT

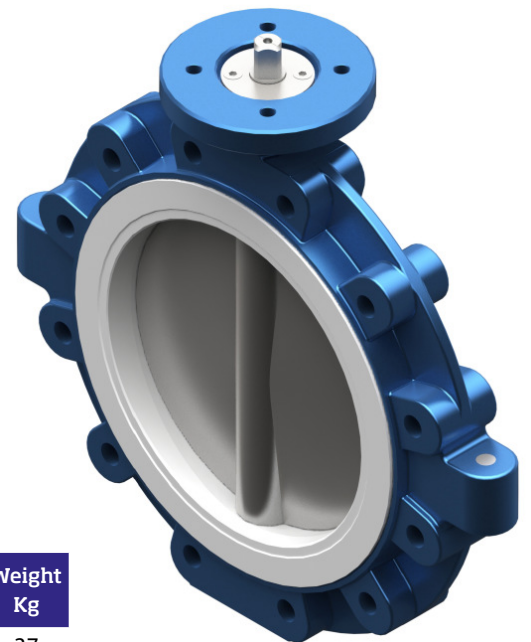
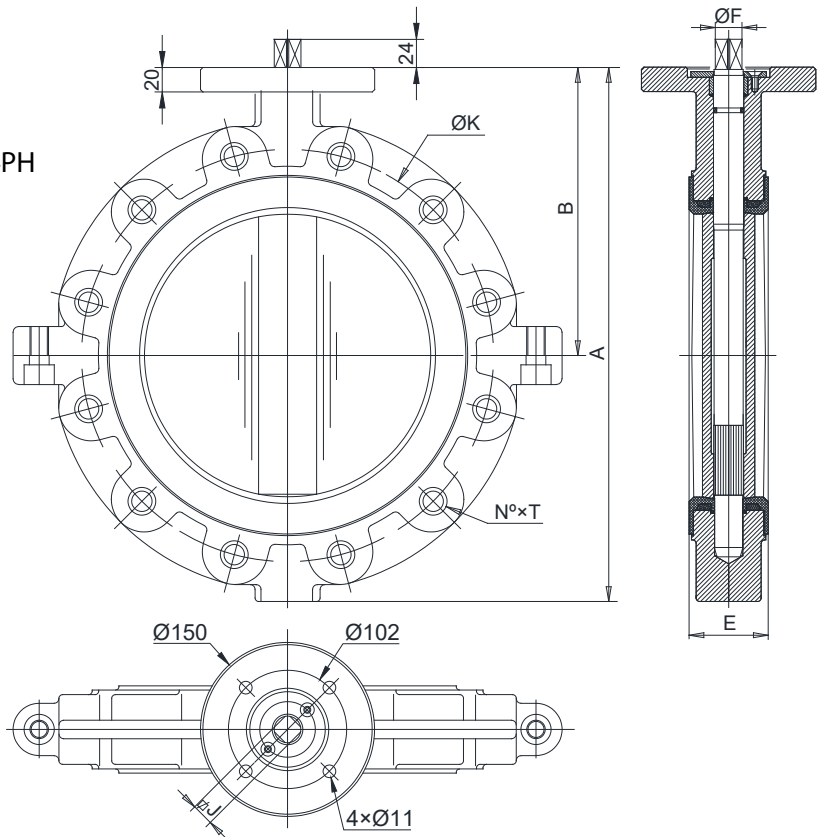
Model: 20LP9540 PTFE

Date: 11-07-2018

Revision: 0

Page: 2/2

- ▶ **Body** Ductile Iron
EN 1563 - GJS500-7
- ▶ **Shaft** Stainless Steel
ASTM A564 Gr. 630 17 4PH
- ▶ **Disc** Stainless Steel
ASTM A351 CF 8M
- ▶ **Seat** PTFE
- ▶ **Temperature** -25°C up to +220°C
- ▶ **Tolerances** ISO 2768-M
- ▶ **Face to Face** EN 558 Series 20
ISO 5752 Series 20
API 609 Table 1
BS 5155 Series 4
- ▶ **Pressure test according to standards** API 598, ISO 5208:
Body: 1.5×PN
Seat: 1.1×PN
- ▶ **Mounting between angles** ISO 7005 - 1, 2 & 3 PN10-16
ANSI B16.5 CL. 150#
JIS B2210 - 10K
AS2129 TABLE E
- ▶ **Tightness test** ISO 5208, Rate A
API 598



DN		A	B	E	F	J	PN10		PN16		ANSI150		Weight Kg
mm	inch						K	N°×T	K	N°×T	K	N°×T	
250	10"	448	248	68	25	19	350	12×M20	355	12×M24	362	12×7/8"	37
300	12"	515	280	78	28	22	400	12×M20	410	12×M24	431.8	12×7/8"	58

Your distribution partner:



Blindeisenweg 31 • D-41468 Neuss • Tel.: +49 2131 / 15 39 28-0 • Fax: +49 2131 / 15 39 28-99 • info@fergo.eu • www.fergo.eu